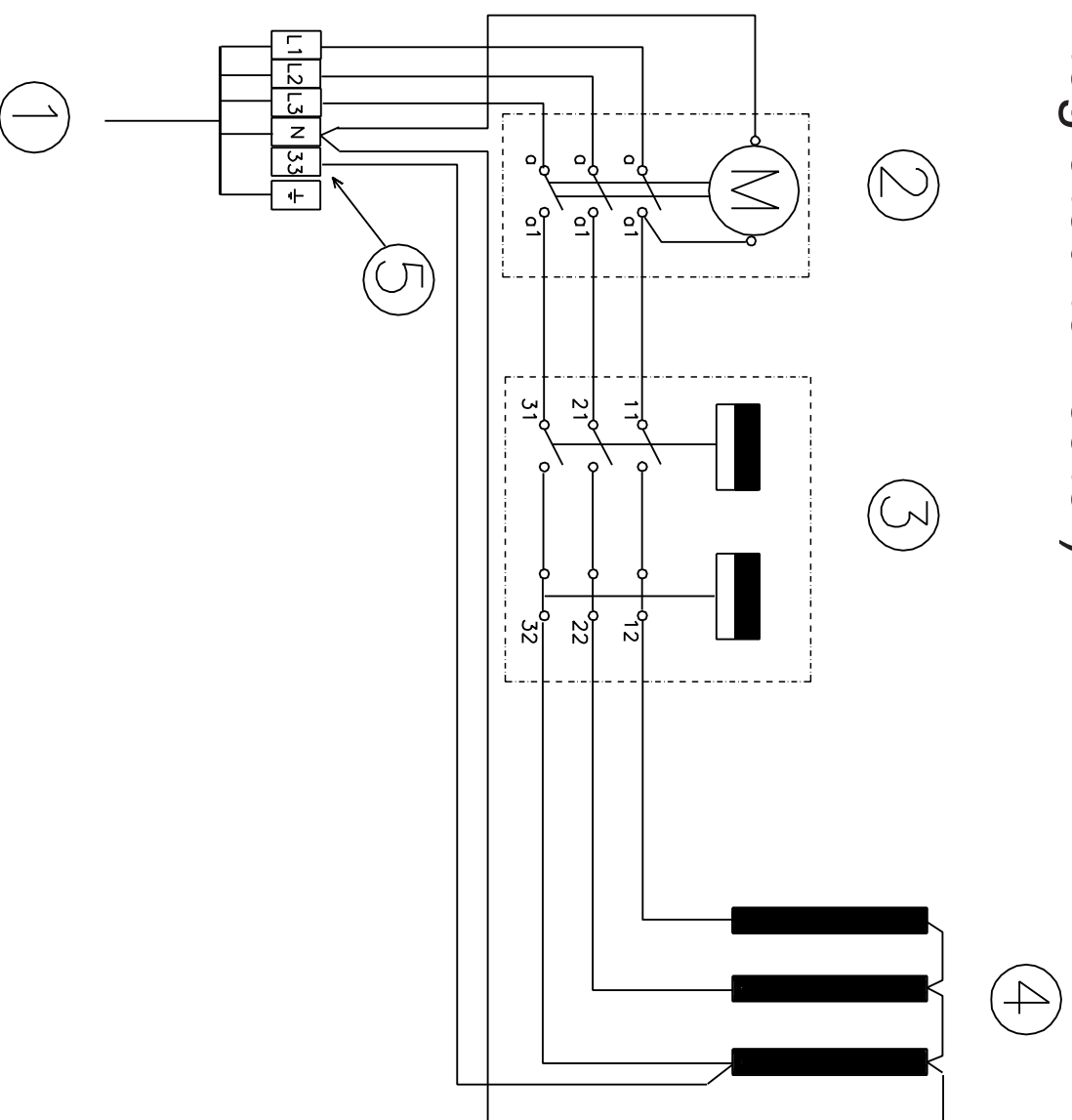


IKI CIRCUIT CONNECTOR DIAGRAM 5 - 15 kW HEATERS (Mounted & separate control unit)

IKI MOUNTED CONTROL UNIT (Integrated to heater)



- ① = Power input 3*400V, N , PE
5*1.5mm² – 5*6mm²
Depending of model
- ② = Timer switch 8+4 H
- ③ = Thermostat overheating switch
40 ° – 95 C° / 115 C °
- ④ = Resistors
5kW Heater 3*1667W
6kW Heater 3*2000W
7.5kW Heater 3*2500W
10kW Heater 6*1666W
12kW Heater 3*2500W
15kW Heater 9*1666W
- ⑤ = Connector 33, Power restrictor

IKI WITH SEPARATE CONTROL UNIT

