

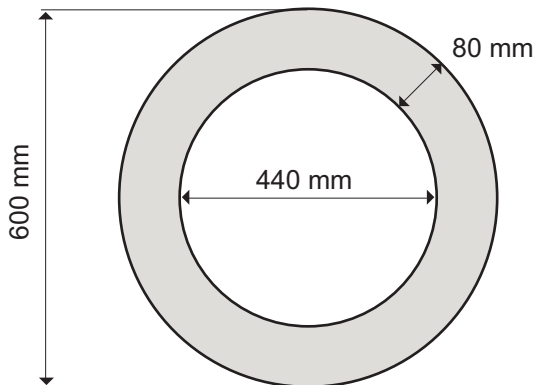


IKI Embedding flange

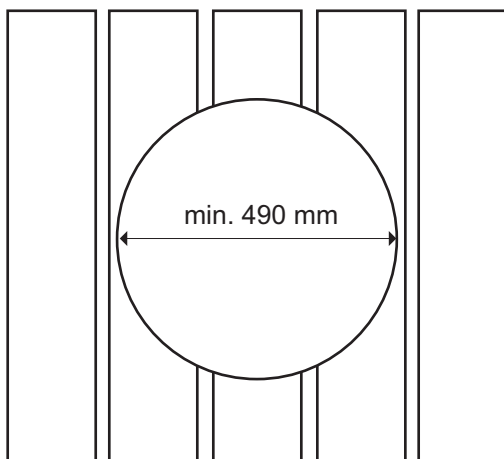
For IKI 7,5 kW, 10 kW and 12 kW electric heaters.

Embedding flange is made from stainless steel.

Dimensions and installation



Minimum hole for the flange is 490 mm



Install the flange centrally to the bench

