

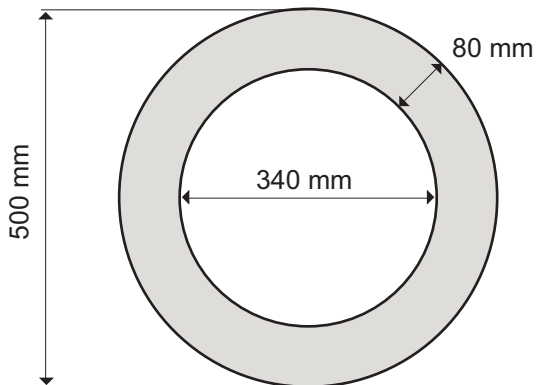


## IKI Embedding flange

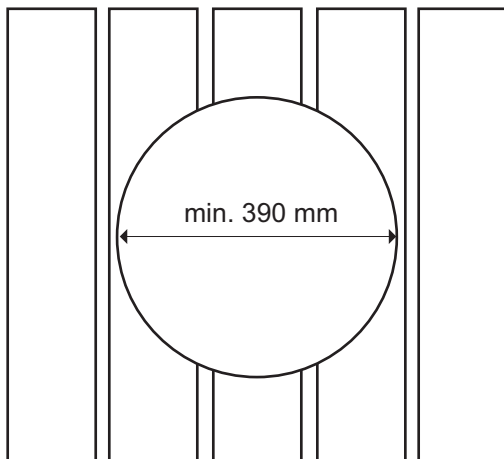
For IKI 3,3 - 6 kW electric heaters.

Embedding flange is made from stainless steel.

### Dimensions and installation



Minimum hole for the flange is 390 mm



Install the flange centrally to the bench

